

P/N : RFM1575QA

1. FEATURES

HIGH PERFORMANCE
 HIGH RELIABILITY
 Active Antenna Module for GPS
 RoHS Compliant

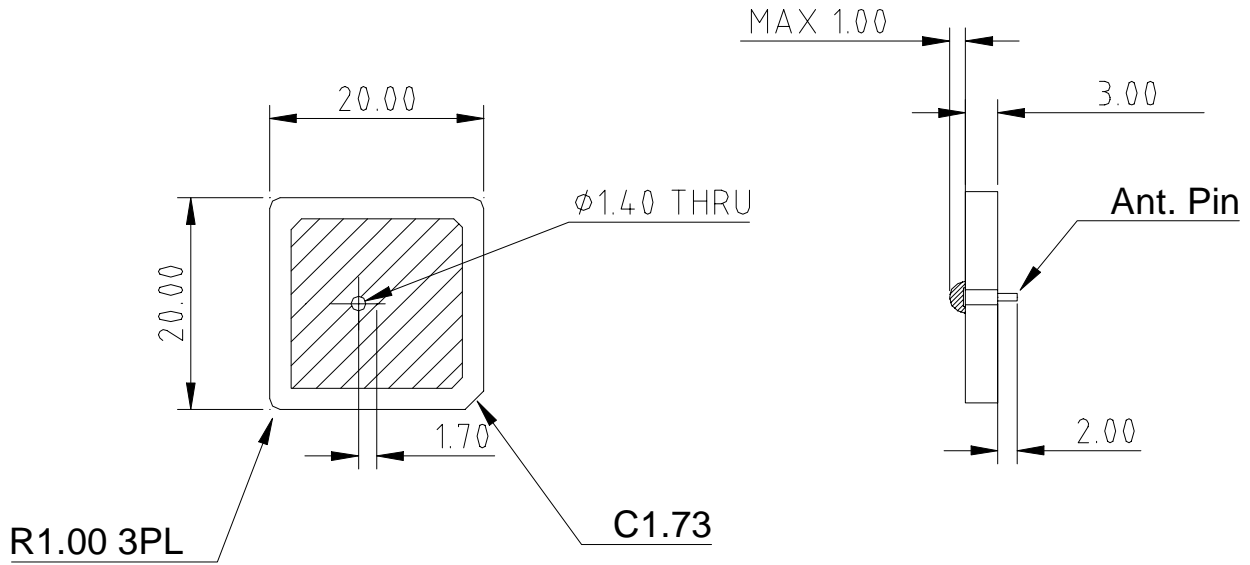
2. Electrical Specifications

No	Item	Specification
1	Operating Frequency	1575.42 +/- 1.023 MHz
2	Band Width	5 MHz min (VSWR 2:1)
3	VSWR	1.5:1 Max @ Center Freq
4	GAIN	0.0 dBic min @ Zenith.
5	Polarization	RHCP
6	Axial Ratio	3dB max @ Center Freq.
7	Pattern Radiation	10 dB max @ ±70° from Zenith
8	Impedance	50W
9	Frequency Temperature Coefficient (tf)	0±15 ppm/ °C



3. Mechanical Specifications

DIMENSION



<Unit : mm>

