

## P/N : RFM1575PA

### 1. FEATURES

HIGH PERFORMANCE  
 HIGH RELIABILITY  
 Active Antenna Module for GPS  
 RoHS Compliant

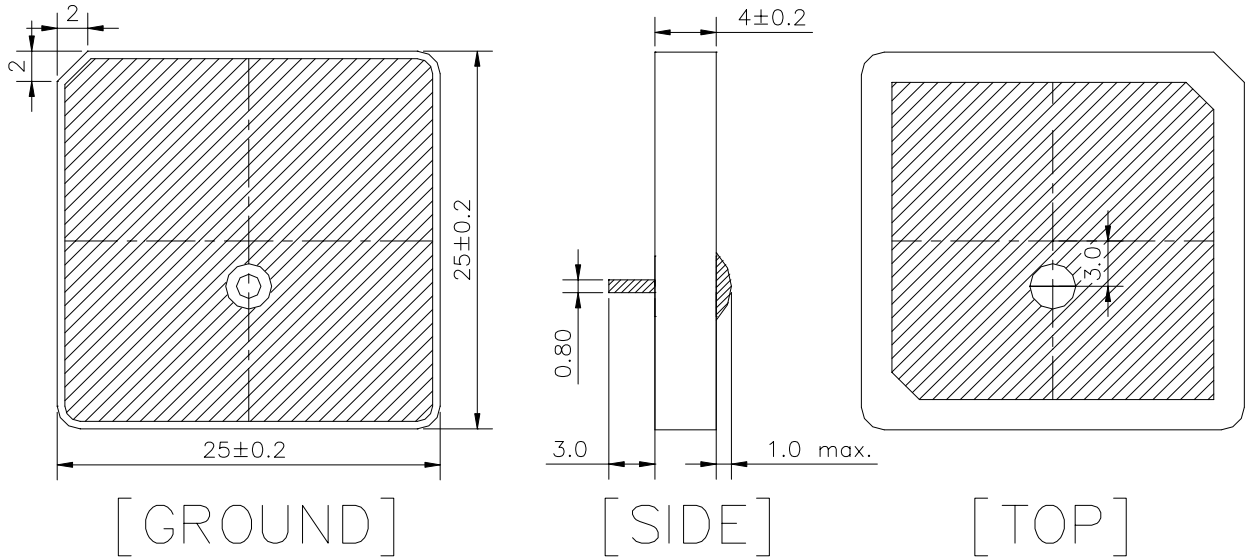
### 2. Electrical Specifications

No	Item	Specification
1	Operating Frequency	1575.42 +/- 1.023 MHz
2	Band Width	20MHz min in 10dB
3	VSWR	1.5:1 Max @ Center Freq
4	GAIN	3dBi typ @ Zenith.
5	Polarization	RHCP
6	Axial Ratio	3dB max @ Center Freq.
7	Pattern Radiation	8dB max @ ±70° from Zenith
8	Impedance	50 ohm
9	Frequency Temperature Coefficient (tf)	0±15 ppm/ °C



## 1-3. Mechanical Specifications

**Size : 25 by 25 by 4mm.**



Other Specified Tolerance :  
 $\pm 0.10$   
 Unit: mm

